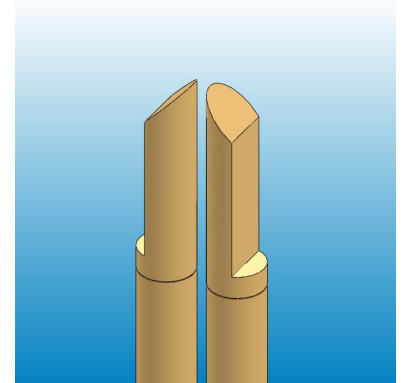
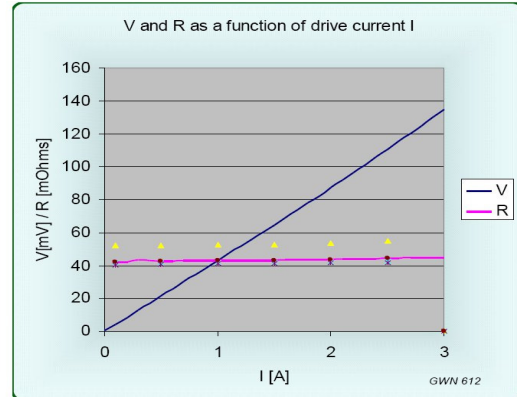
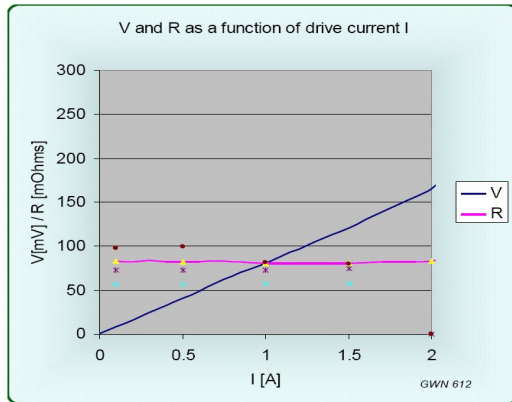


- Superior Contact Resistance Stability
- 0.4mm pitch – Nominal 70mΩ flat across 2 Amp current range
- 0.5mm pitch – Nominal 45mΩ flat across 3 Amp current range
- Thermal Stability-
  - 30 degree C thermal rise under 2A current load for 0.4mm pitch
  - 30 degree C thermal rise under 3A current load for 0.5mm pitch
- Pin design supports package type QFN, UTQFN, UTDFN, TDFN, VSOP, PQFP, LQFP
- Design supports multi-layer vias and trace board stackups
- Anti-diffusion coating and palladium plating options available
- Solid Palladium Alloy DUT tips available



Kelvin Contact Series					
Pitch MM	Model	Length Operating / Initial inches [mm]	DUT Plating	Spring	Operating Spring Force
0.3	AA912-A1	.152 [3.86] / .170 [4.32]	Gold Non-Magnetic	Stainless Steel	20 Grams
	AA917-B2	.199 [5.05] / .219 [5.57]	Gold	Music Wire	20 Grams
	AA917-D4			Stainless Steel	18 Grams
0.4	A1512-BC	.127 [3.22] / .139 [3.53]	Gold Anti-Diffusion	Music Wire	21 Grams
	A1512-CD			Stainless Steel	29 Grams
	A1512-W5	.119 [3.02] / .131 [3.32]	Palladium	Music Wire	21 Grams
	A1512-X6		Pd Anti-Diffusion		
	A1512-Y7		Solid Pd Alloy		
	A1512-S1		Gold		
	A1512-T2		Palladium		
	A1512-V4		Gold Anti-Diffusion		
	A1512-P6		Pd Anti-Diffusion		
	A1562-G7		.150 [3.81] / .168 [4.27]		
	A1562-K2	.144 [3.66] / .160 [4.06]	Stainless Steel	19 Grams	
	A1562-Q7	.150 [3.81] / .168 [4.27]	Music Wire	30 Grams	
	A1562-X6		Solid Pd Alloy		
	A1586-A1	.199 [5.06] / .211 [5.36]	Gold	Music Wire	20 Grams
	A1586-B2	.199 [5.06] / .219 [5.56]		Stainless Steel	19 Grams
	A1586-C3				20 Grams
	A1586-F6	.234 [5.94] / .256 [6.50]		Music Wire	31 Grams
	A1586-G7	.199 [5.06] / .219 [5.56]			
0.5	B2501-U3	.150 [3.81] / .162 [4.11]	Gold	Stainless Steel	20 Grams
	B2501-S1		Gold		28 Grams
	B2501-CD		Palladium		28 Grams
	B2501-UV		Gold		31 Grams
	B2501-V4	Gold	Music Wire	33 Grams	
	B2535-A1	.199 [5.06] / .217 [5.50]	Gold	Music Wire	31 Grams
	B2535-B2			Stainless Steel	26 Grams
B2535-C3	BeCu			28 Grams	

## RESISTANCE PLOTS



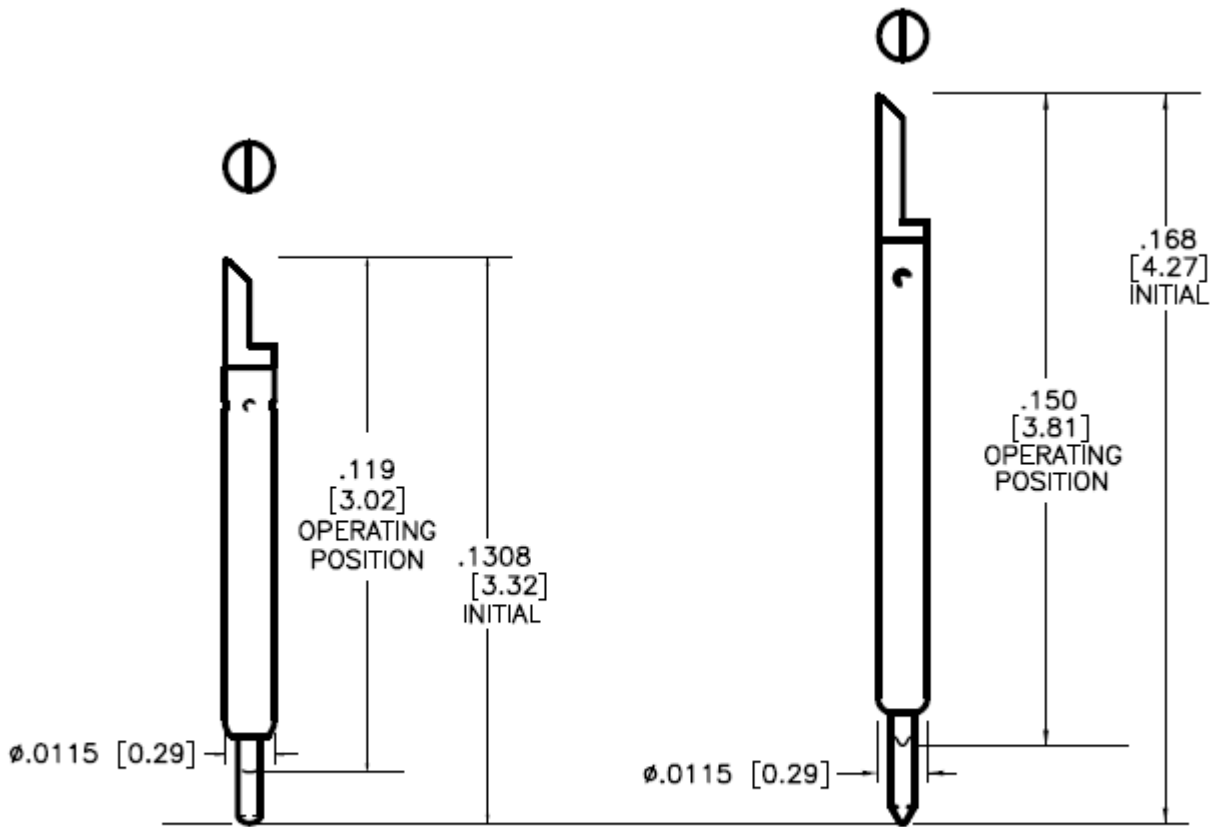
Pulse Current Margin designed in for long tip life and minimum calibration.

### 0.4mm pins

	1% Duty Cycle	10% Duty Cycle	50% Duty Cycle	DC (100%)
IMAX (A)	3.56	3.37	2.56	1.71

### 0.5mm pins

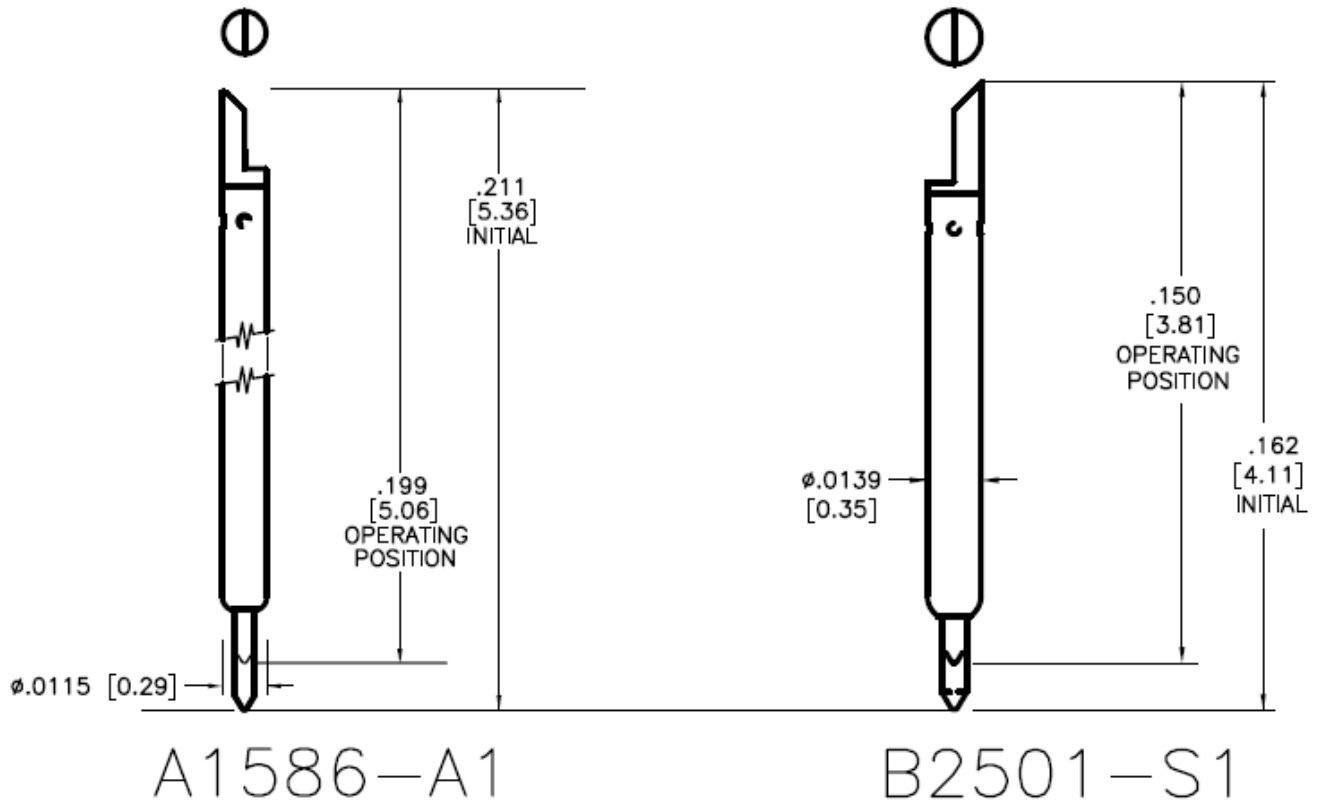
	1% Duty Cycle	10% Duty Cycle	50% Duty Cycle	DC (100%)
IMAX (A)	5.14	5.17	3.97	2.21

**MECHANICAL DIMENSIONS**  
INCHES [MM]

A1512-S1

A1562-G7

## MECHANICAL DIMENSIONS INCHES [MM]



Signal Integrity, Inc.

104 County Street, Ste. 210, Attleboro, MA 02703

Tel: 1-508-226-6480 Fax: 1-508-226-6488 Internet: [www.signalin.com](http://www.signalin.com)

Signal Integrity makes no representation that the use of its products described herein, or the use of other technical information contained herein, will not infringe on existing or future patent rights. The descriptions contained herein do not imply the granting of licenses to make, use, or sell equipment constructed in accordance therewith. Specifications are subject to change without notice.